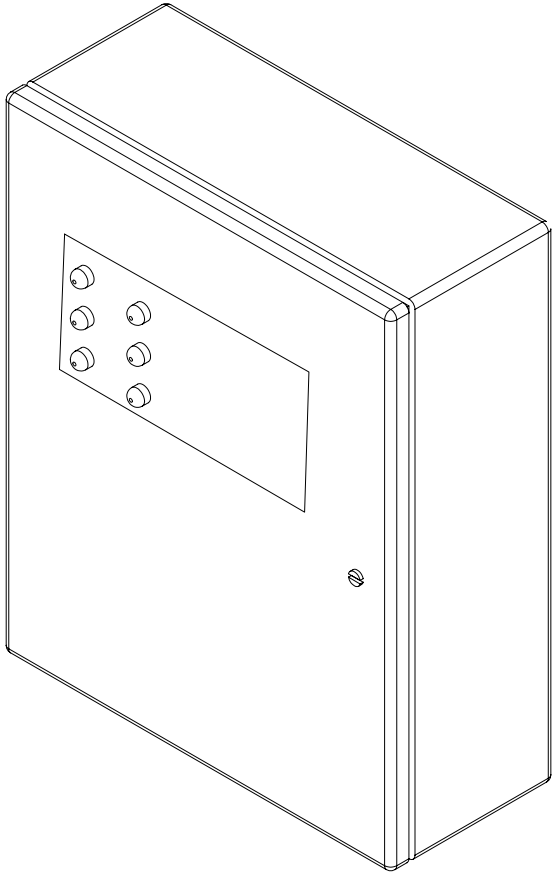


THIS DRAWING HAS BEEN GENERATED AND IS MAINTAINED BY A CAD SYSTEM. CHANGES SHALL ONLY BE INCORPORATED AS DIRECTED BY THE DESIGN ACTIVITY.

REVISIONS			
LTR	DESCRIPTION	DATE	APPROVED
O	PRODUCTION RELEASE	1/11/00	
A	UPDATE SPEC ECN 2539	04/26/00	JDW
B	REMOVE 5K PRODUCT REFERENCES	6/23/06	



UNLESS OTHERWISE SPECIFIED DIM. IN INCHES	DRAWN: JDW	DATE 1/11/00
	ENGR. APPD: JDW	1/24/00
	ENGR. MGR: DLR	1/24/00
	APPL. ENGR: JCC	1/24/00
MATERIAL:	SALES MGR:	



TITLE:	SDA 480 10K Specification		
--------	------------------------------	--	--

NOTICE: THE INFORMATION AND DESIGN CONTAINED HEREIN IS THE PROPERTY OF TRANSTECTOR SYSTEMS. WHO RESERVES ALL RIGHTS THERETO	SIZE A	CAGE 30992	DRAWING NUMBER 1400-335	REV B
				PAGE 1 OF 4

1.0 General Description:

The SDA 480 D Series surge suppressors are high-speed, high current, solid-state devices designed to protect electronic equipment and systems from transient overvoltages. They perform this function by limiting the magnitude of transient overvoltages present on A.C. power lines. The suppressor will provide continuous bipolar bi-directional, non-interrupting protection and be capable of instant automatic reset with no degradation in protection capabilities. The suppressor is solid-state, utilizing Silicon Avalanche Suppressor Diodes. The suppressor assembly is installed in parallel with the load. The device is contained in a NEMA Type 4 enclosure. Amber lights on the front of the enclosure illuminate to indicate power is applied. Green lights illuminate to indicate the suppressor is operational. The unit is equipped with form C isolated relay contacts that change state to indicate suppressor operation status.

2.0 Models:

SDA 480-10KA Heavy Duty exposure 480V

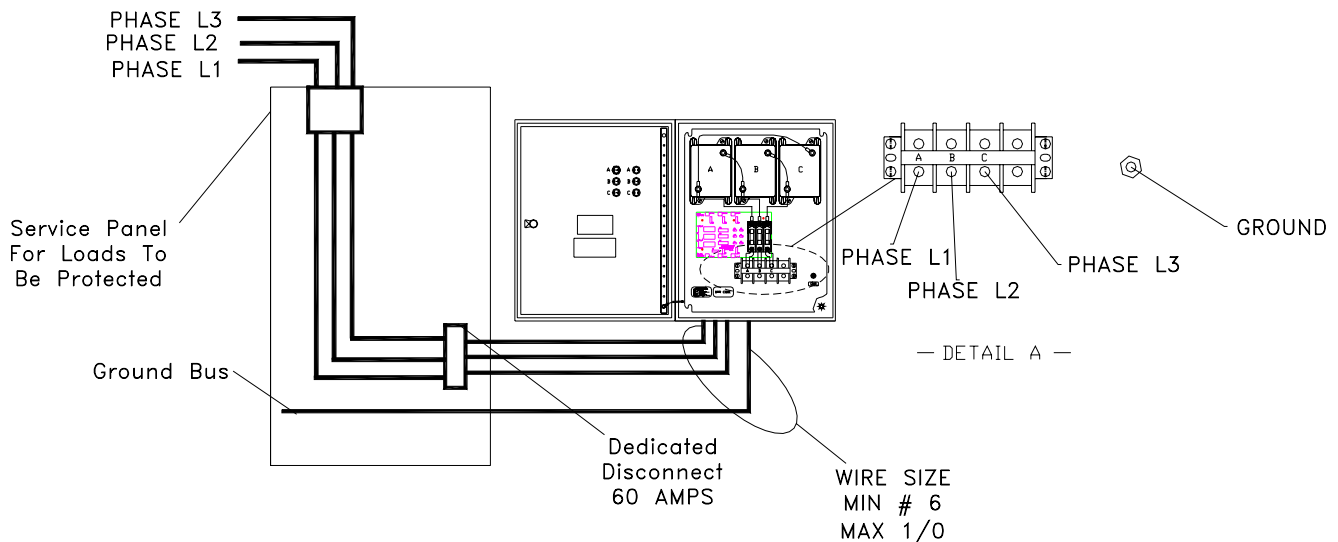
3.0 Electrical Service

3.1 Installation

Maximum Operating
Voltage (RMS)

3.1.1 All models 600V RMS L-L
 3.1.2 Relay contact Rating 5A/250VAC
 3.1.3 Relay Contact-to-Coil Isolations 5000VAC

3.2 Wiring Configurations



4.0 Electrical Performance

- 4.1 Surge current capacity:
 Testing per ANSI/IEEE C62.45 2002, IEEE C62.41.2 2002 wave shapes
 SDA 480-10KA 10000A 8/20us
- 4.2 Response Time (Max.) 5 Nanoseconds
- 4.3 Visual Indicators: Illuminated amber lights indicate suppressor operation. In the unlikely event that the suppressor becomes non-functional the lights will turn off. When power to the system is disconnected the lights will turn off.
- 4.4 Remote Status Indications: Three (3) internally mounted, isolated, dry contact relays provide a means to remotely monitor suppressor's operational status. Contact designators are identified with Normal Open (NO), Normal Closed (NC), and Common (C). These positions are labeled with no power applied to the suppressor. In the rare event the suppressor becomes non-operational or loss of A.C. power occurs, the relay contacts change state in reference to Common (C).

5.0 Environmental:

- 5.0 Temperature: Operating -40°C to +85°C
- 5.1 Relative Humidity 95%

6.0 Mechanical:

- 6.1 Dimensions 20" H x 16" W x 6.88" L
 (508mm) x (406.4mm) x (174.75mm)
- 6.2 Weight (Max.) (20.4 Kg) 45 Lb.
- 6.3 Wire Size # 6 - 1/0
- 6.4 Relay Connections: Three detachable "Euro-style" three-pin plugs provide contacts for each relay. The plugs are sized for use with 22-14 AWG wire.

7.0 Installation:

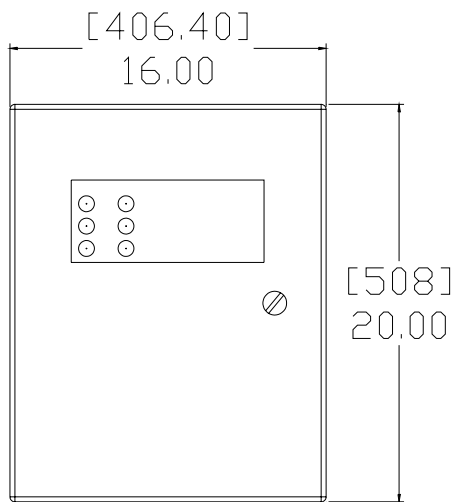
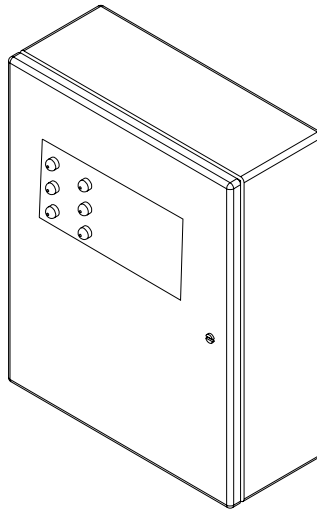
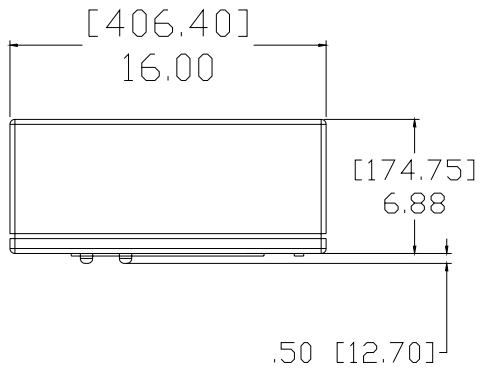
- 7.1 See Figure A. (next page)



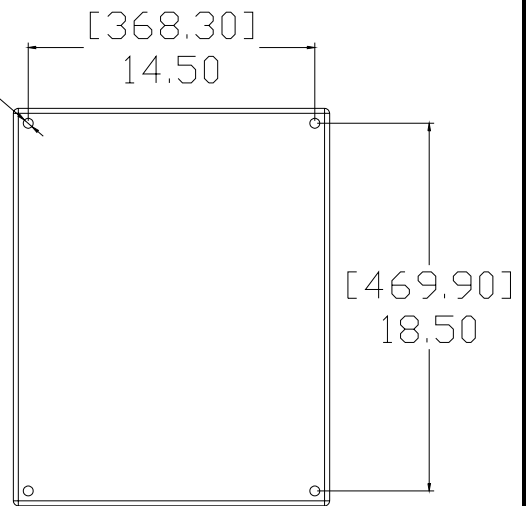
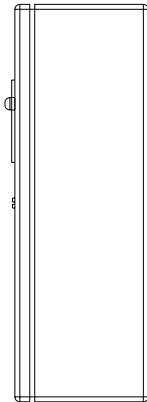
NOTICE: THE INFORMATION AND DESIGN CONTAINED HEREIN IS THE PROPERTY OF TRANSTECTOR SYSTEMS. WHO RESERVES ALL RIGHTS THERETO.

SIZE	CAGE	DRAWING NUMBER	REV
A	30992	1400-335	B
Page 3 OF 4			

Figure A.



Ø.50 [Ø12.70]
TYP



MOUNTING HOLE
PATTERN