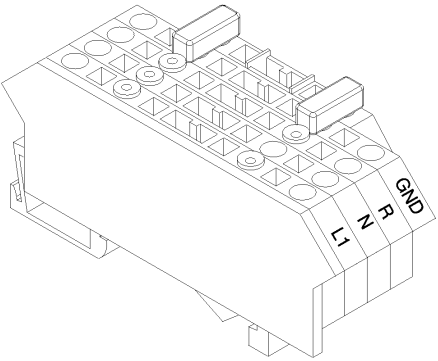
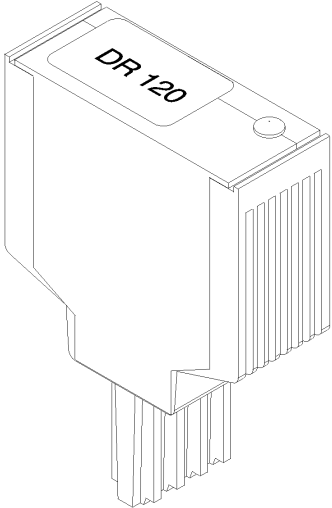


THIS DRAWING HAS BEEN GENERATED AND IS MAINTAINED BY A CAD SYSTEM. CHANGES SHALL ONLY BE INCORPORATED AS DIRECTED BY THE DESIGN ACTIVITY.

REVISIONS			
LTR	DESCRIPTION	DATE	APPROVED
O	PRODUCTION RELEASE	12/22/98	JAH
A	UPDATED FORMAT	3/10/99	JAH
B	CLARIFIED SPECIFICATION	6/18/99	



UNLESS OTHERWISE SPECIFIED DIM. IN INCHES	DRAWN: JAH	DATE 12/22/98
	ENGR. APPD:	
	ENGR. MGR:	
	APPL. ENGR:	
MATERIAL:	SALES MGR:	



TITLE:
Din-rail A/C Products Specification

SIZE A	CAGE 30992	DRAWING NUMBER 1400-320	REV B
------------------	----------------------	-----------------------------------	-----------------

NOTICE: THE INFORMATION AND DESIGN CONTAINED HEREIN IS THE PROPERTY OF TRANSTECTOR SYSTEMS. WHO RESERVES ALL RIGHTS THERETO

1.0 General Description:

The DR-Series Din-Rail VAC surge suppressors are high-speed, high current, solid-state devices designed to protect electronic equipment and systems from transient overvoltages. They perform this function by limiting the magnitude of transient overvoltages present on A.C. power lines. The suppressor will provide continuous bipolar bi-directional, non-interrupting protection and be capable of instant automatic reset with no degradation in protection capabilities. The suppressor is solid-state, utilizing Silicon Avalanche Suppressor Diodes. The suppressor assembly is installed in parallel with the load and may be removed from its Din-foot without interrupting the protected circuit. The device is contained in a plug-able Din-Rail mounted module. The Din-foot utilizes quick connections for 28AWG – 12AWG wiring, 20A maximum. The Din-foot mounts to typical Din-35 (EN5022) type rails. A green LED illuminates to indicate suppressor is operational. Each device has connections available to power a remote relay, (Relay not included). These connections are powered from the fuse side of the suppressor and will lose power in the case of suppressor failure. The connectors power is the same as the input line voltage.

2.0 Models:

DR-120.....	Standard exposure 120V
DR-240.....	Standard exposure 240V
DR-120-1	Heavy Duty exposure 120V
DR-240-1	Heavy Duty exposure 240V

3.0 Electrical Service

3.1 Installation (VAC)	Maximum Operating Voltage (RMS)
DR-120 models.....	140V RMS
DR-240 models.....	280V RMS

3.2 Wiring Configurations

All models	L-L, L-N
------------------	----------

4.0 Electrical Performance

4.1 Protection Levels:.....	Protection Level Min./Max. Vpeak
DR-120 products.....	220/330
DR-240 products.....	440/660

4.2 Surge current capacity:

Testing per ANSI/IEEE C62.45 1992, IEEE C62.41 1991 wave shapes	
DR-120.....	700A 8/20us
DR-240.....	600A 8/20us
DR-120-1	1500A 8/20us
DR-240-1	1000A 8/20us

4.3 Response Time (Max.).....	5 Nanoseconds
-------------------------------	---------------



NOTICE: THE INFORMATION AND DESIGN CONTAINED HEREIN IS THE PROPERTY OF TRANSTECTOR SYSTEMS. WHO RESERVES ALL RIGHTS THERETO.

SIZE
A

CAGE
30992

DRAWING NUMBER
1400-320

REV
B

4.4 Remote Sense: Marked connection points labeled “N” & “R” on the Din-foot are energized to the electrical service voltage when the suppressor is operational. These connection points allow the customer to connect to a remote relay or lamp. (see figure A). Power is removed from these points if the suppressor becomes non-operational, the system power is turned off or if the system power becomes disconnected.

4.5 LED Signal: An illuminated green LED indicates suppressor operation. In the unlikely event that the suppressor becomes non-functional the LED will turn off. When power to the DR module is disconnected the LED will turn off.

5.0 Environmental:

5.0 Temperature: Operating..... -40°C to +85°C

5.1 Relative Humidity95%

5.2 Approved for oily or gaseous environments

6.0 Mechanical:

6.1 Dimensions (While mounted on rail) 3.5 H x .9 W x 2.9 L
(89mm) x (23mm) x (74mm)

6.2 Weight (Max.)(81.6g) 2.88 Ounce

6.3 Wire Size (Din Base) 12AWG (2.5mm²)

7.0 Installation:

7.1 See Figure A.



NOTICE: THE INFORMATION AND DESIGN CONTAINED HEREIN IS THE PROPERTY OF TRANSTECTOR SYSTEMS. WHO RESERVES ALL RIGHTS THERETO.

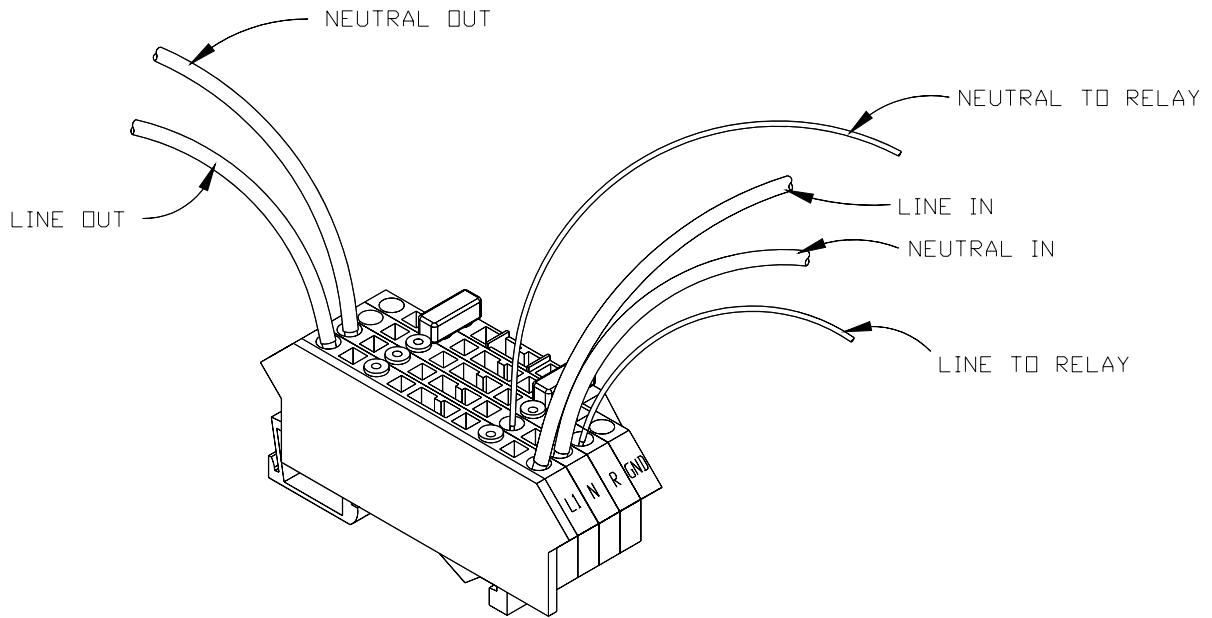
SIZE
A

CAGE
30992

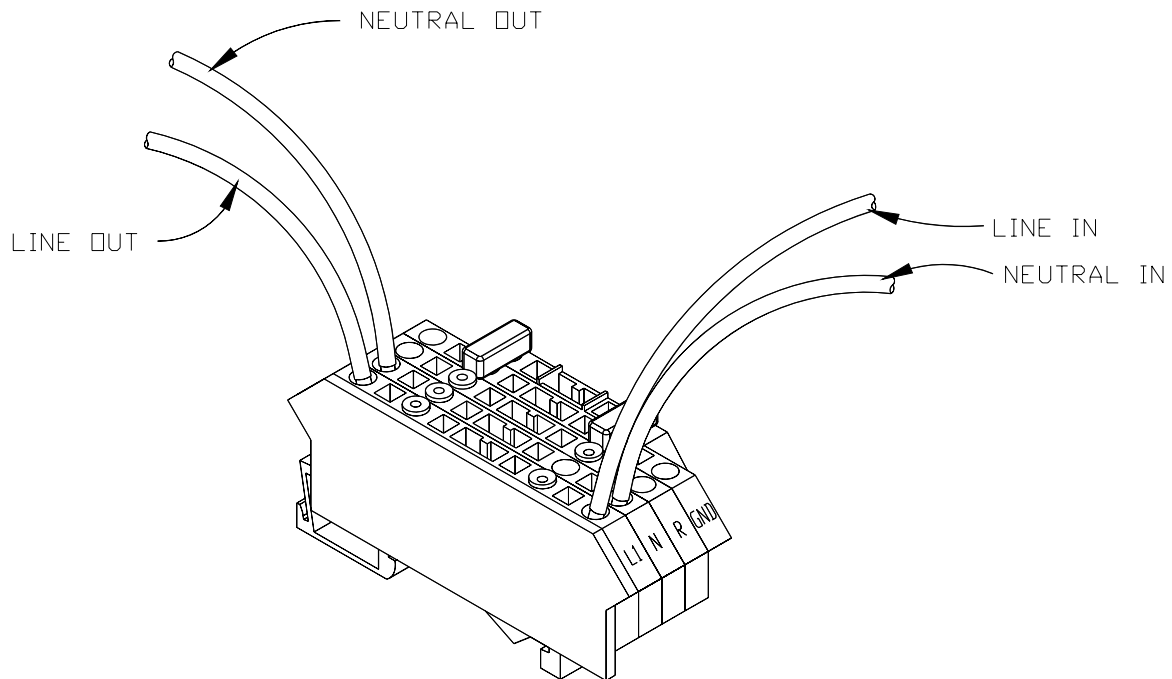
DRAWING NUMBER
1400-320

REV
B

Figure A



Standard foot installation when user supplies relay for annunciation



Standard foot installation without relay used