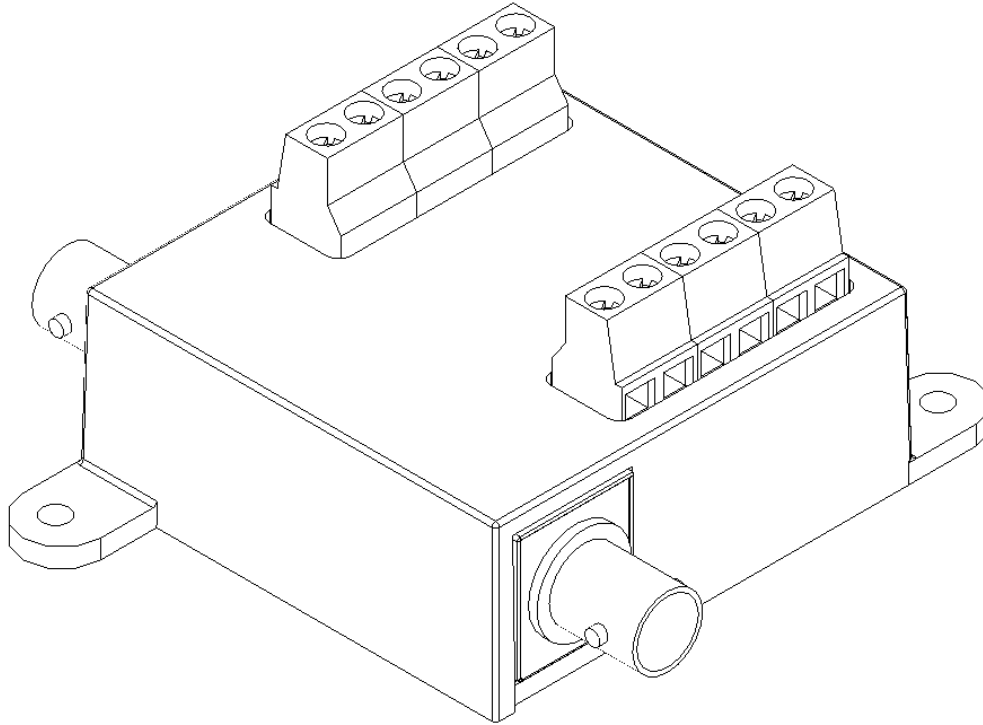


THIS DRAWING HAS BEEN GENERATED AND IS MAINTAINED BY A CAD SYSTEM. CHANGES SHALL ONLY BE INCORPORATED AS DIRECTED BY THE DESIGN ACTIVITY.

### REVISIONS

LTR	DESCRIPTION	ECO NUM.	DATE	APPROVED
01	Concept release		11/06/01	
02	Pre-production release		11/20/01	DWR



UNLESS OTHERWISE SPECIFIED DIM. IN INCHES BEFORE PLATING

MATERIAL:  
NOTED

DRAWN: <b>JDW</b>	DATE 11/6/01
CHECKED: <b>CKW</b>	1/7/02
ENGR. APPD: <b>MLH</b>	1/8/02
PROJ. APPD: <b>DWR</b>	1/4/02
APPROVED:	



TITLE:

**CCTV-PTZ  
SPECIFICATION**

**NOTICE:** THE INFORMATION AND DESIGN CONTAINED HEREIN IS THE PROPERTY OF TRANSTECTOR SYSTEMS. WHO RESERVES ALL RIGHTS THERETO

SIZE <b>A</b>	CAGE <b>30992</b>	DRAWING NUMBER <b>1400-411</b>	REV <b>02</b>
------------------	----------------------	-----------------------------------	------------------

SCALE = **▲**A

## SURGE SUPPRESSOR Model: CCTV-PTZ

1. **GENERAL DESCRIPTION:** The CCTV-PTZ surge suppressor is a high-speed, high-current solid state device designed to protect Closed Circuit Television Cameras. **The CCTV-PTZ uses only silicon avalanche suppression diodes (SASD).** It connects to the service in a pass through configuration. The CCTV-PTZ provides protection for the camera's RF signal via pass-through BNC connectors. The CCTV-PTZ provides protection for both 24 Volt AC and DC and 2-wire RS 232 signal (for pan-tilt-zoom control) via pass-through terminal blocks. The molded plastic enclosure features integrated mounting holes to mount the unit using #4 hardware. The CCTV-PTZ is approved to UL 497 B.

### 2. PERFORMANCE REQUIREMENTS:

#### 2.1. Electrical Service:

##### 2.1.1. COAX

- 2.1.1.1. Attenuation..... -3 db @ 90 MHz
- 2.1.1.2. Configuration..... Coax
- 2.1.1.3. Input Connection..... BNC
- 2.1.1.4. Protection Modes..... Tip to Ring, Ring to Ground
- 2.1.1.5. MCOV..... 12 V Tip to Ring, 40V Ring to Ground

##### 2.1.2. 24 V

- 2.1.2.1. Service Voltage..... 24 V AC/DC
- 2.1.2.2. Configuration..... 2 wire + Ground
- 2.1.2.3. Input Connection..... Screw-Term. Block (22-16 AWG)
  - 2.1.2.3.1. Number of connector positions..... 6 (3 in, 3 out)
- 2.1.2.4. Protection Modes..... Line to Line, Line to Ground
- 2.1.2.5. Maximum Continuous Operating Voltage..... 40 VDC / 28 VAC

##### 2.1.3. RS232, RS422, RS485

- 2.1.3.1. Configuration..... 2 wire + Ground
- 2.1.3.2. Input Connection..... Screw-Term. Block (22-16 AWG)
  - 2.1.3.2.1. Number of connector positions..... 6 (3 in, 3 out)
- 2.1.3.3. Protection Modes..... Line to Line, Line to Ground
- 2.1.3.4. Maximum Continuous Operating Voltage..... 24 VDC

#### 2.2. Electrical Performance:

##### 2.2.1. COAX

##### 2.2.1.1. Testing:

- 2.2.1.1.1. Tested to IEEE 10/1000 Long Wave
  - 2.2.1.1.1.1. Ipk..... 140 A peak
- 2.2.1.2. Response Time (Max)..... 5 nanoseconds
- 2.2.1.3. Standby Power (Max)..... < 0.5 Watt
- 2.2.1.4. Operating Temperature..... -40°C to +65°C
- 2.2.1.5. Joules..... 13

##### 2.2.2. 24 V

##### 2.2.2.1. Testing:

- 2.2.2.1.1. Tested to IEEE 10/1000 Long Wave
  - 2.2.2.1.1.1. Ipk..... 150 A peak
- 2.2.2.2. Response Time (Max)..... 5 nanoseconds
- 2.2.2.3. Standby Power (Max)..... < 0.5 Watt
- 2.2.2.4. Operating Temperature..... -40°C to +65°C
- 2.2.2.5. Joules..... 10



NOTICE: THE INFORMATION AND DESIGN CONTAINED HEREIN IS THE PROPERTY OF TRANSTECTOR SYSTEMS. WHO RESERVES ALL RIGHTS THERETO.

SIZE	CAGE			
A	30992	1400-411		02
SCALE =			Page 2 OF 3	

**2.2.3. RS232, RS422, RS485**

**2.2.3.1. Testing:**

2.2.3.1.1. Tested to IEEE 10/1000 Long Wave

2.2.3.1.1.1. Ipk ..... 190 A peak

2.2.3.2. Response Time (Max) ..... 5 nanoseconds

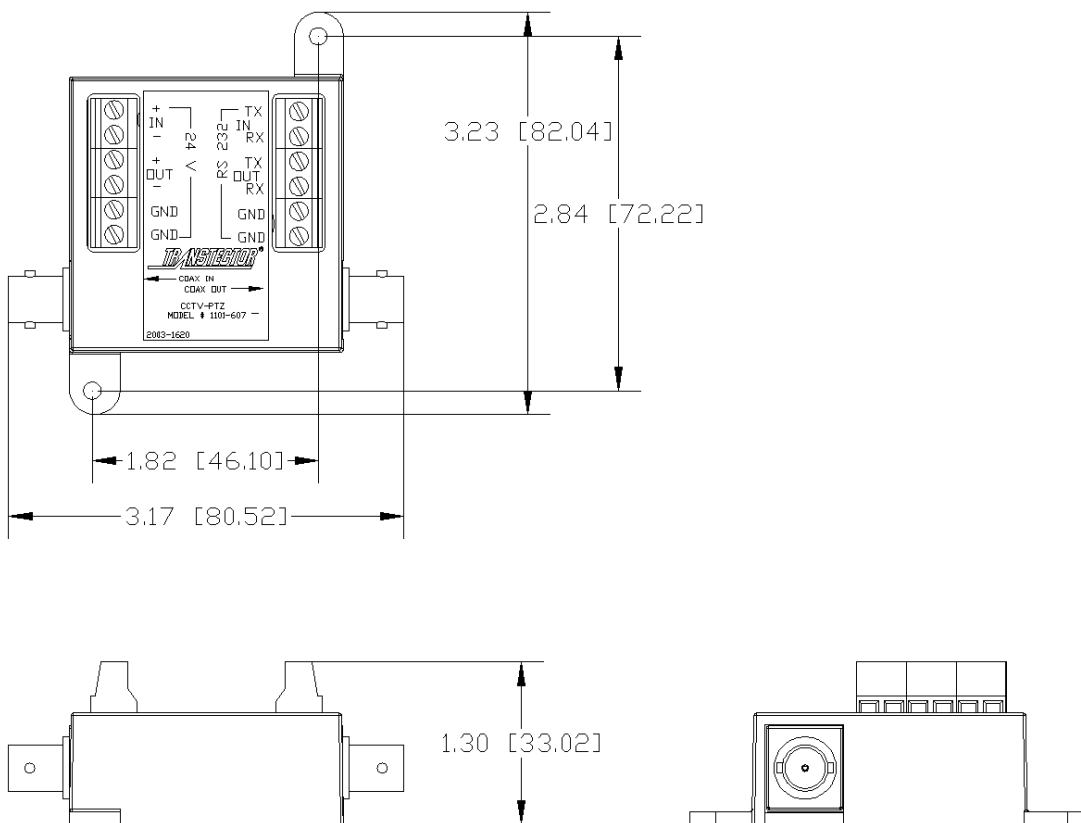
2.2.3.3. Standby Power (Max) ..... < 0.5 Watt

2.2.3.4. Operating Temperature ..... -40°C to +65°C

2.2.3.5. Joules ..... 10

**2.3. Mechanical:**

**2.3.1. Enclosure Description:** The suppressor is housed in a molded plastic enclosure that is rated to UL 94 V0.



**3. ENVIRONMENTAL:**

3.1. Operating Temperature: ..... -40°C to +80°C

3.2. Storage Temperature: ..... -40°C to +80°C

3.3. Relative Humidity: ..... 90%



NOTICE: THE INFORMATION AND DESIGN CONTAINED HEREIN IS THE PROPERTY OF TRANSTECTOR SYSTEMS. WHO RESERVES ALL RIGHTS THERETO.

SIZE	CAGE	1400-411	02
A	30992		
SCALE =		Page 3 OF 3	