

APEX I max Series

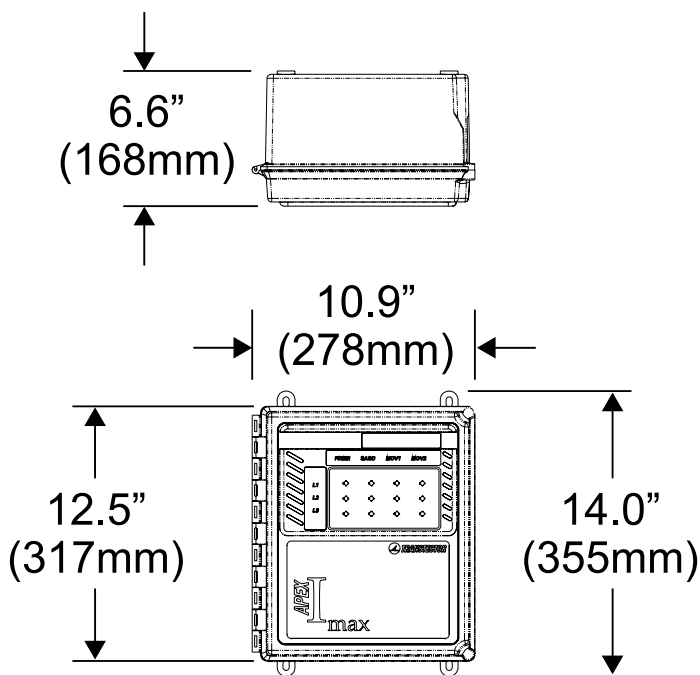
AC Power Surge Protector

Transtector's APEX I max Series is a high quality AC surge protector designed to protect a wide range of 120VAC power configurations. The series offers eight separate units in Silicon/MOV as well as MOV only technology. The standard surge protector enclosure is a fiberglass composite, NEMA 4X type, with metal enclosure options depending on user requirements. The design is based around a modular approach using robust surge assemblies that each bolt directly across AC bus bars. You can trust Transtector to provide a superior protection solution for your systems.

Your Success Requires a Superior Protection Solution Provided by Transtector Systems, Inc.

Applications

- AC Main and Sub Power Panels
- Communications
- Cell Sites
- Shelters



Features

- Combines Fast-acting and Low Clamping SASD and MOV Technologies
- Motorola 2005 R56 Certified
- Low Voltage Let-through
- Rated at 65 kA AIC Fault Current
- Tested to 160 kA Surge Current
- Proven APEX Reliability
- Indicator Lamps for Power and Operation Status (Power Applied Suppressor Status)
- Dry Contact Relays for Remote Status
- Available in SASD/MOV and MOV Only Technologies

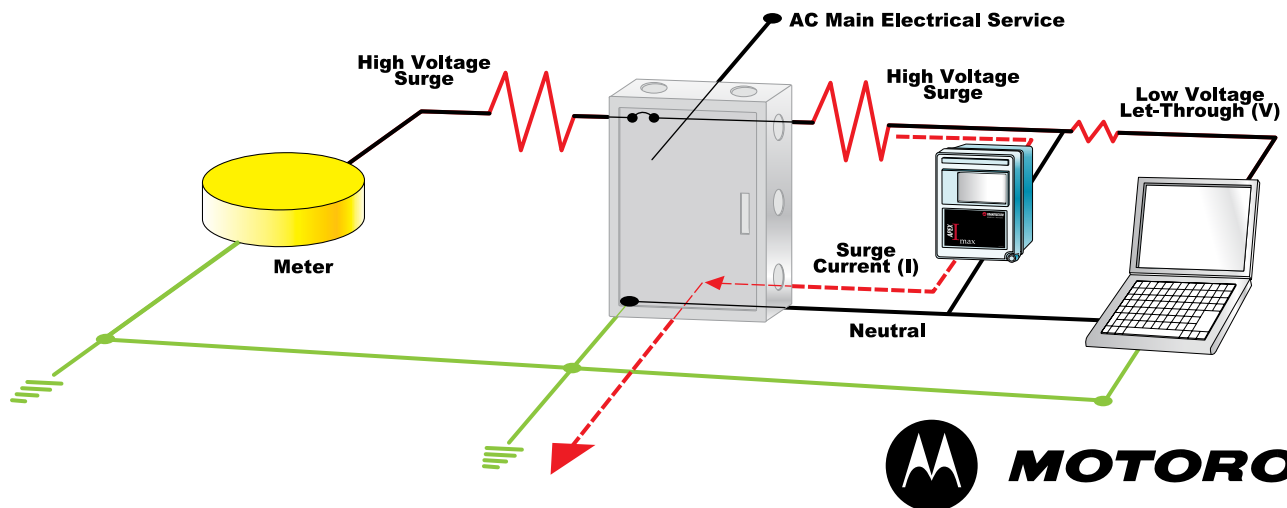
Configurations & Specifications

Apex Imax Model	808	808M	808MM	808MMM	809	809M	809MM	809MMM
Motorola Drop Ship	DSAPEXIMAX808	DSAPEXIMAX808M	DSAPEXIMAX808MM	DSAPEXIMAX808MMM	DSAPEXIMAX809	DSAPEXIMAX809M	DSAPEXIMAX809MM	DSAPEXIMAX809MMM
RPSD Part Number	RRDN6951A	RRDN6952A	RRDN6953A	RRDN6954A	RRDN6955A	RRDN6956A	RRDN6957A	RRDN6958A
Technology	Silicon/MOV		MOV		Silicon/MOV		MOV	
Maximum Continuous Operating Voltage	145VAC							
Nominal Operating Voltage	120/240V				120/208V			
Service Frequency	50/60Hz							
Response Time (Max.)	<1 Nanosecond							
Surge Current Rating 8/20µs <small>(per IEEE C62.41.2 2002 and C62.45 2002)</small>	160kA							
UL Surge Voltage Rating (SVR) 8/20µs <small>(per IEEE C62.41.2 2002 and C62.45 2002)</small>	330V L-N @ 500A		500V L-N @ 500A		330V L-N @ 500A		500V L-N @ 500A	
Wiring Configuration	L1-L2-N, L1-L2-L3-N							
Input Wire Size	#4AWG-1/0 (9.3mm max)							
Isolated Relay Terminals	3-Pin connector, #22 - 14AWG (2mm max)							
Enclosure	Fiberglass NEMA 4X	Steel NEMA 12	Fiberglass NEMA 4X	Steel NEMA 12	Fiberglass NEMA 4X	Steel NEMA 12	Fiberglass NEMA 4X	Steel NEMA 12
Operating Temperature	-40° C to +50° C							
Dimensions	Fiberglass - 12.5" w X 10.9" h X 6.6" d / Steel - 12" w X 10" h X 8" d							
Transtector Part Number	1101-808	1101-808M	1101-808MM	1101-808MMM	1101-809	1101-809M	1101-809MM	1101-809MMM

Motorola 2005
R56 Certified



Warranty Ten (10) year manufacturer warranty



Transtector Systems, Inc.
208.772.8515 800.882.9110 FAX 208.762.6133
10701 N. Airport Road, Hayden, ID 83835

www.transtector.com sales@transtector.com

Phone: 800.442.4210 EXT. 6883

TTY Phone: 866.522.5210

Fax: 800.622.6210

US Federal Government: 800.826.1913

Online Users: www.motorola.com/businessonline

MOTOROLA and the Stylized M Logo are registered in the US Patent & Trademark Office.
All other product or service names are the property of their respective owners.