

## Surge Arrester Class II

Transtector's I<sup>2</sup>R SA480D-40 features a compact size and robust protection. Often used for main electrical service, common applications include motor drives, air conditioning, pumps and lighting. Trust Transtector protection to help you minimize operational costs and down time.



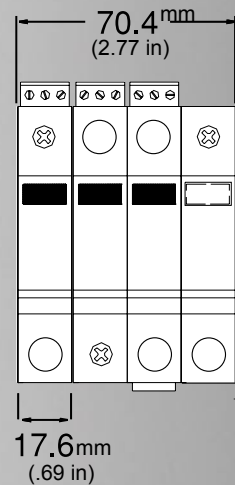
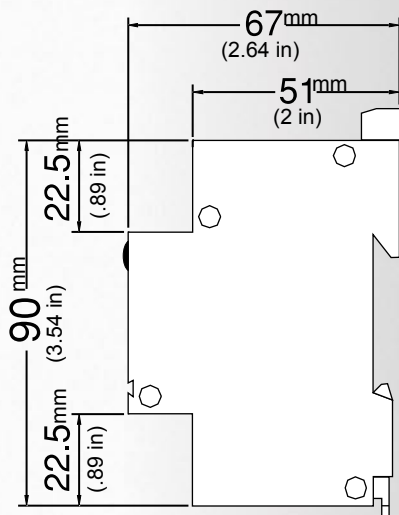
### Features

- Meets Class 2 levels per IEC 61643-1, IEC 664/IEC 529 and IEEE C62.41 Cat. C3 20kV/10kA
- Three Phase 480Volt Delta Protection
- Rugged MOV design integrated into a single unit for ease of installation
- Annunciation - front visual indication lever
- Remote NO-C-NC dry contact points
- CE compliant
- Internal disconnectors remove arrester in event of failure or fault

### Applications

- 480V DIN Rail Industrial Applications
- Motor Drives
- Air Conditioning
- Air Handlers
- Pumps
- Lighting

# TRANSTECTOR



smiths

## I<sup>2</sup>R SERIES SA480D-40

**Main Electrical Service Lightning Arrester Class II**

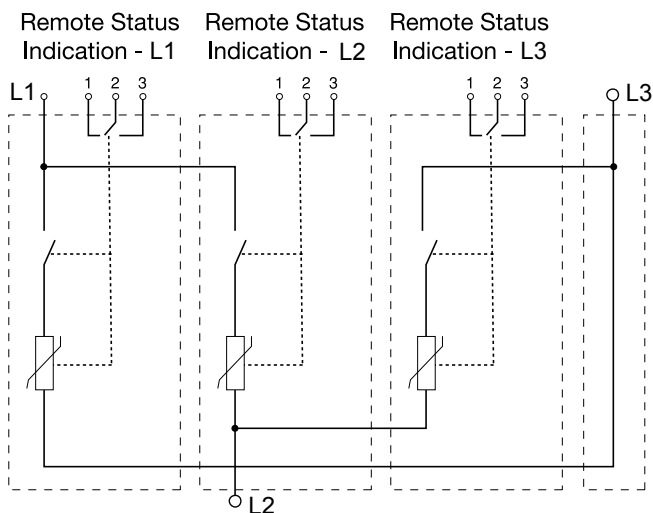
## Specification

## Models

I<sup>2</sup>R SA480D-40

Tested to		IEC 61643-1
Arrester class acc. to IEC 61643-1		II
Nominal voltage (50/60 Hz)	$U_N$	480V Delta
Max. continuous operating voltage	$U_C$	600V
Max. discharge current at wave shape $I_{max}(8/20)$	$I_{max}$	40kA
Nominal discharge current at wave shape $I_n(8/20)$	$I_n$	15kA
Voltage protection level SVR	$U_p$	<2,5kV @ 1 max 1.1kV @ 500 A 8/20 $\mu$ s 3kV @ 40kA 8/20 $\mu$ s
Max. lightning current $I_{imp}(10/350)$	$I_{imp}$	3kA
Charge	Q	1,5As
Specific energy	W/R	2,2kJ/
Response time	$t_a$	<25ns
Recommended back-up fuse		40A
Short-circuit withstand capability	$I_p$	60kA <sub>eff</sub>
Operation temperature range	$\theta$	-40 to +80°C
Recommended conductor sizes		25mm <sup>2</sup> (solid) 4AWG 16mm <sup>2</sup> (flexible) 6AWG
Protection type acc. to CSN EN 60529		IP 20
Mounting type		DIN rail 35mm
Housing's material		FRNC-UL94VO Flame Rating
Potential free signal contact		Electrical strength against surrounding circuits 3750V Electrical strength against network circuit 3750V <sub>eff</sub> Insulation resistance $2 \times 10^7$ Max. switching current ~0,5A Max. switching voltage ~250V
Weight	m	350g
Part Number		1102-014-26

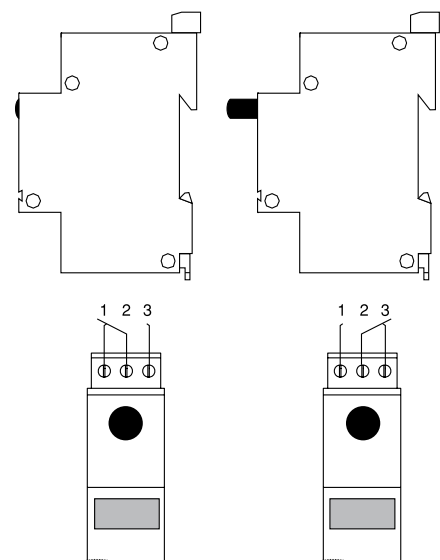
## Basic Circuit Diagram



Wire Gage for Power - 25mm<sup>2</sup> (solid) 4AWG, 16mm<sup>2</sup> (flexible) 6AWG  
Wire Gage Remote Status Contact - 6mm<sup>2</sup> - 10AWG



In case of sacrifice, a mechanical, red signaling target will eject indicating disruption.



208.772.8515    800.882.9110    FAX 208.762.6133  
10701 N. Airport Road, Hayden, ID 83835

www.transtector.com    sales@transtector.com

An ISO 9001:2000 and 14001 Certified Company

**TRANSTECTOR**<sup>®</sup>  
SUPERIOR SURGE SUPPRESSION